

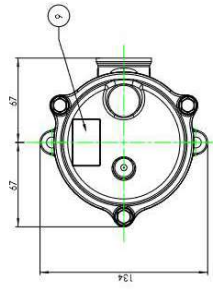
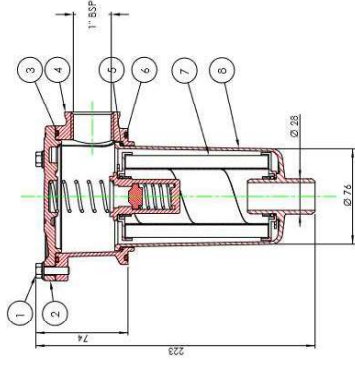
# Returnline Tank Mounted Filters



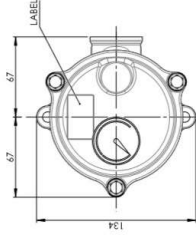
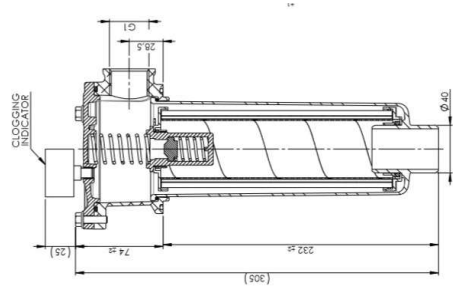
## Technical Specifications

- Max working Pressure :8 bar/10bar
- Burst Pressure : 16 bar
- Max Flow Rate : 700lpm
- Cover: Aluminium alloy
- Head: Aluminium alloy
- Bowl: PA6 reinforced
- Seal: NBR
- Connections : G 1" / G1 ¼" / 2 ½" SAE Flange

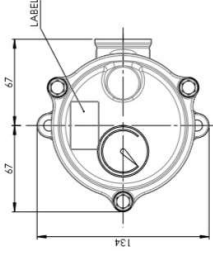
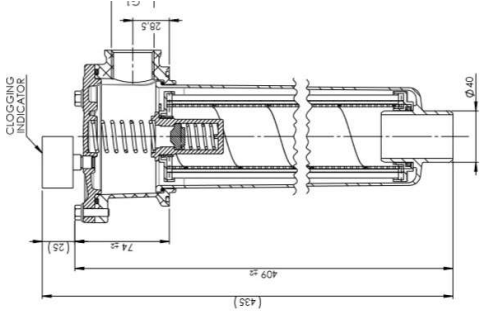
# Returnline Tank Mounted Filters



**RTF1 Series**



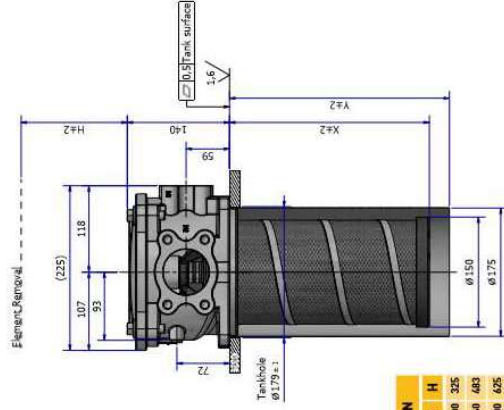
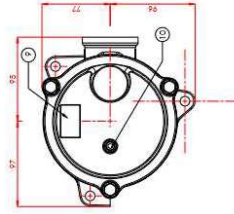
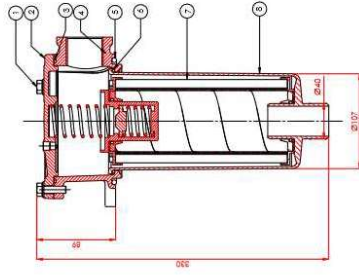
**RTF2 Series**



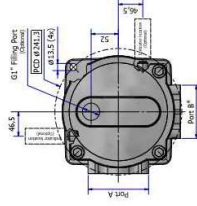
**RTF3 Series**



# Returnline Tank Mounted Filters



DIMENSION			
TYPE	X	Y	H
GLF41	272	300	325
GLF42	431	449	483
GLF43	571	600	625

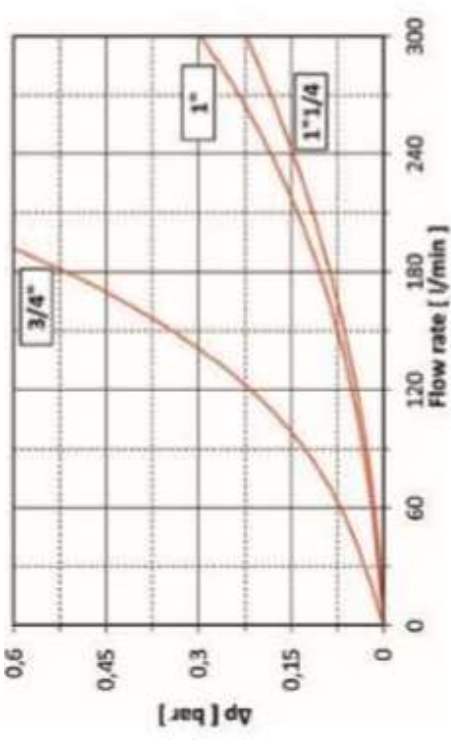
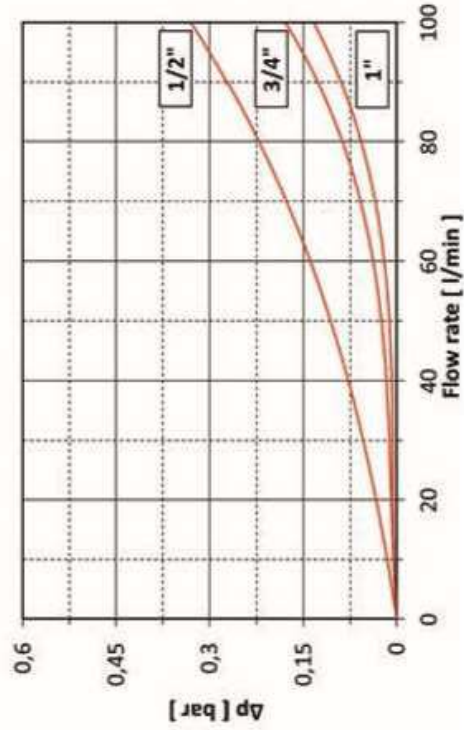


**RTF4 Series**

**GLF4-2 Series**



# Returnline Tank Mounted Filters

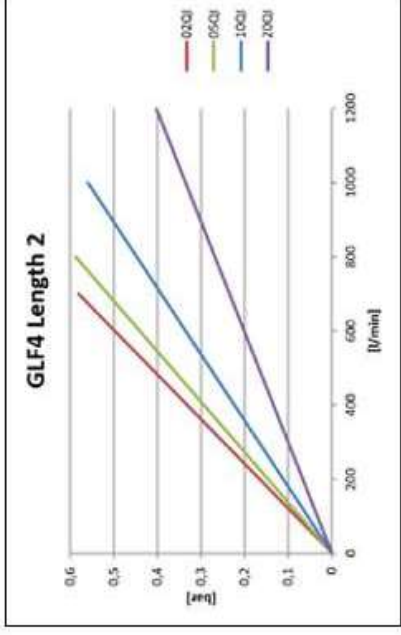
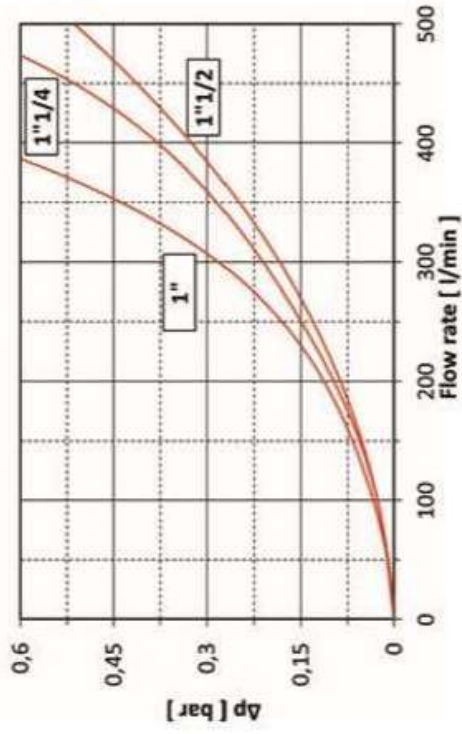


Size	25Q	10Q	05Q	03Q	25C	10C
RTF1	0.0039	0.0040	0.00586	0.0067	0.0014	0.0027
RTF2	0.0022	0.0023	0.0035	0.0056	0.00082	0.0016
RTF3	0.00137	0.0014	0.0022	0.0037	0.00039	0.00085

EXAMPLE OF TOTAL Δp CALCULATION RHF110QBPPGG161 with 80 l/min and oil 46 cSt:  
Housing Δp 0,07 bar + element Δp 0,46 bar (80 x 0.0040\*46/32) = total assembly Δp 0,53 bar



# Returnline Tank Mounted Filters



Size	25Q	10Q	05Q	25C	10C
RTF4	0.0011	0.00146	0.0027	0.00025	0.00106



# Returnline Tank Mounted Filters

Series	Size/Flow Rate	Micron Rating	Seal Type	Indicator	Bypass	Port Size	Standard
<b>RTF</b>	1 (Upto 100lpm)	03Q : 03 Micron	B-NBR seal	P- Port Plugged	G- 1.7bar Setting K- 3.5bar Setting	G16 – 1”BSPThreaded G20 - 1 1/4” BSP Threaded (G20-Applicable for RTF3 & RTF4 only)	1
	2 (Upto 175lpm)	05Q : 05 Micron					
	3 (Upto 250lpm)	10Q : 10 Micron					
	4 (upto 400lpm)	25Q : 25 micron					
<b>GLF 4</b>	2 ( 700lpm)	10C : 10 Micron Cellulose	B-NBR seal	P2 - Port Plugged	G- 1.7bar Setting	R40 - 2 1/2” SAE Threaded	MF
		25C : 25 Micron Cellulose					
		02Q : 03 Micron					
		05Q : 05 Micron					
		10Q : 10 Micron					
		20Q : 20 micron					

